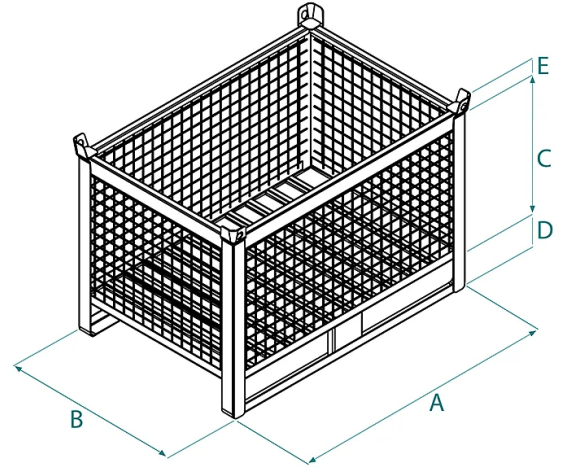


DATA SHEET - STACKING MESH STEEL STILLAGE



Code	Capacity (kg)	Weight (kg)	Dimensions (mm)				
			A	B	C	D	E
CMR-10	1000	45	1000	800	650	150	80
CMR-12	1000	54	1200	800	650	150	80
CMR-10SP	1000	49	1000	800	650	150	80
CMR-12SP	1000	59	1200	800	650	150	80

DATA SHEET - STACKING MESH STEEL STILLAGE

Crane accessories



Stacking mesh steel stillage

Stackable mesh containers of various sizes

The series of CMR mesh containers represents the ideal solution, with a load capacity of 1000 kg, for the storage and transportation of small-sized goods or waste. This series has been designed with an emphasis on safety and practicality, making it an essential item for companies and warehouses in the construction and industrial sectors. Their structure has been designed to allow lifting either by forklifts and pallet trucks, or by using a 4-arm chain. The presence of rails on the long side of the containers ensures stability during storage and handling operations, preventing unwanted shifts. These containers can be stacked on top of each other, optimizing the use of limited space in a warehouse. We offer a variety of models with different sizes to meet the specific needs of each situation.

Application sectors

 Construction  Industry