

SELF-DUMPING BINS WITH FORK POCKETS



📞 1 844 842 5141

✉ info@bigfootcrane.com

🌐 www.bigfootcrane.com

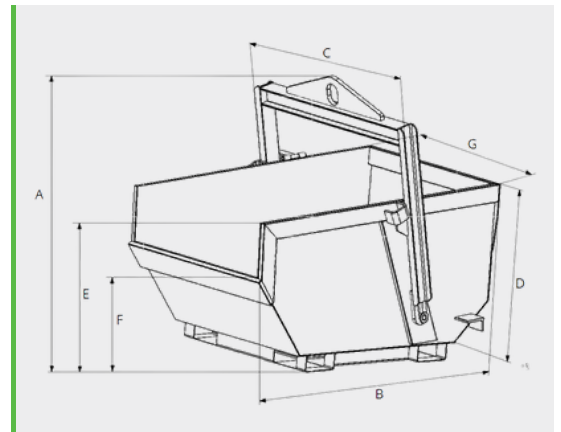
Revolutionize your construction site with Boscaro self-dumping bins with fork pockets. Move your bin around to different locations without tying up the crane hook time and reach parts of the job site that the crane does not reach. These bins are a game-changer in material handling, offering easy transportation and maneuverability with forklifts. Their versatility is unmatched, ideal for various applications from debris handling to material management. The self-dumping mechanism enhances safety by reducing manual handling, lowering the risk of workplace injuries.

Boscaro self-dumping bins are not only efficient but also time and labor-saving. They simplify loading, transporting, and unloading processes, leading to significant time and labor cost reductions. Built to last, these bins withstand tough construction environments, ensuring durability and long-term performance. By choosing Boscaro bins with fork pockets, you're investing in a more efficient, safer, and environmentally responsible construction operation.



Features

- The safest and most efficient way to move materials by crane
- Built in, bi-directional fork pockets allow for ease of movement on your jobsite or project
- 2 sizes in stock to choose from
- Designed for hands-free unloading
- Meets or exceeds all ASME Standards
- Durable powder-coated finish
- Proven for safety, strength, and longevity
- 100% welded steel construction



Model	Capacity	A	B	C	D	E	F	G	H	I	Capacity	Weight
A150D4ST	1.96 cu yd	5'1"	6'0"	4'2"	3'3"	3'0"	1'11"	3'5"	4'0"	8'27"	6,614 lb	771 lb
A200D4ST	2.62 cu yd	5'4"	6'5"	5'3"	3'5"	3'1"	1'11"	4'3"	4'0"	8'27"	8,818 lb	1,366 lb

